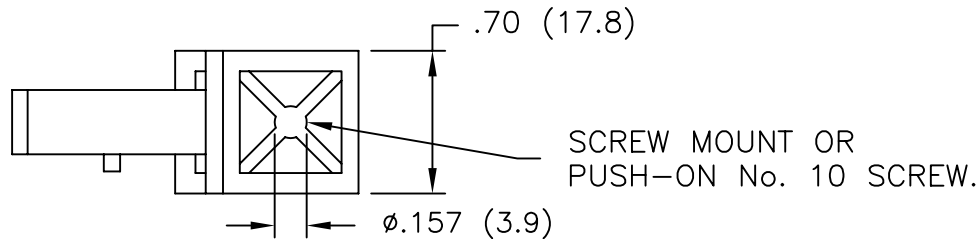
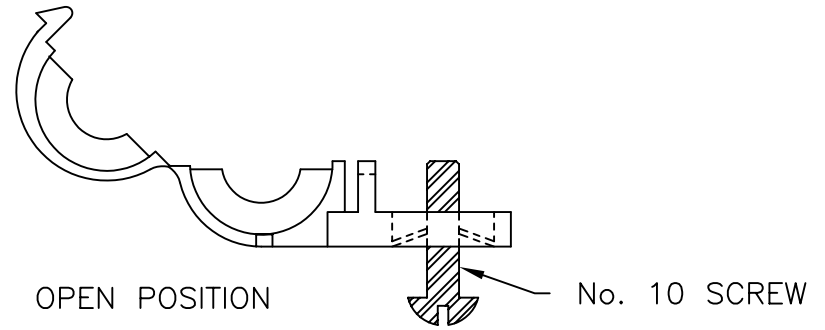
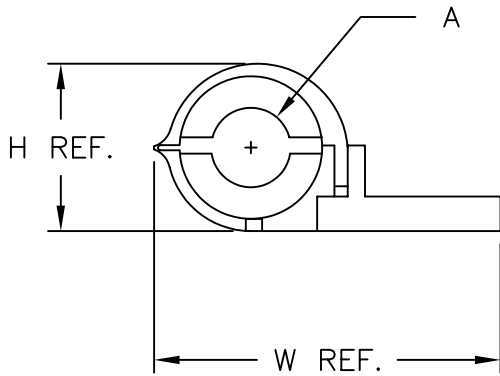


PART NUMBER	A (NOM. BUNDLE DIA.)	H REF.	W REF.
No. HQC-39	.390 (9.9)	.79 (20.1)	1.65 (41.9)
No. HQC-74	.748 (18.9)	1.09 (27.6)	1.89 (48.0)



NOTES:

1. MATERIAL: NYLON 66.
2. COLOR: BLACK.

TITLE: HINGED QUICK CLIP			DWG IN IN.(MM)		FINAL		PRINT TYPE			
D	CORRECTED NO. 10 STUD TO NO. 10 SCREW	SM 03.26.01	FILE #	HQC	DWN:	E.P.	APP:	PART # HQC-SERIES	CA	
C	NOM. BUNDLE DIA WAS MAX. BUNDLE DIA.	JL 4/26/99	MAT'L:	SEE NOTES	DT:	9-23-98	DT:			
B	ADDED DIM. "A" AND REMOVED COLUMN "B"	AM 4.13.99	RE:	RICHCO, INC.	RICHCO INC. PO BOX 804238, CHICAGO, 60680 (773) 539-4060					
A	DIM "H" AND "W" ADDED TO PRINT	J.L. 4.7.99	TOLERANCES UNLESS NOTED .XX=±.010 .XXX=±.005 FRAC=1/64 ANG=1°							
REV	DESCRIPTION	ENGR DATE								